

TOOL CHANGER

GET MAXIMIZED FLEXIBILITY AND PRODUCTIVITY



INCREASE YOUR BUSINESS PERFORMANCE AND PRODUCTION EFFICIENCY BY HAVING YOUR ROBOT WORK AUTOMATICALLY AND AUTONOMOUSLY BETWEEN MULTIPLE TASKS AND TOOLS IN THE SAME WORKFLOW.

FAST AND EASY CONVERSION

Easy deployment and replotment of tools and seamless transition between tools as well as manage various tasks in the same timeslot and without stopping.

The unique tool pocket enables the robot to change to new tasks and tools, replace a damaged or worn-out tool in seconds and hereby obtain shorter cycle time and non-stop production in endless applications.

HIGH COMPATIBILITY

High compatibility on almost all lightweight and collaborative robots and tools.

The product features a unique, patented design with a functionality that secures high strength, speed, and precision for each an any tasks in all applications.

MODULAR AND UPGRADABLE

Modular and upgradable from manual to automatic clutches, enabling mechanical, pneumatic, and electrical connection.

Mechanical product that requires no external power.

All products are produced, inspected, and tested at our factory in Norway.



THE BENEFITS OF THE SMARTSHIFT TOOL CHANGING SYSTEM



Universal compatibility for lightweight and collaborative robots



Use more than one tool and seamless transition between tools



Automatic exchange tool to others and perform various work tasks without stopping



Replace a faulty or worn-out tool and eliminate production stops



Easy to connect and no programming skills required



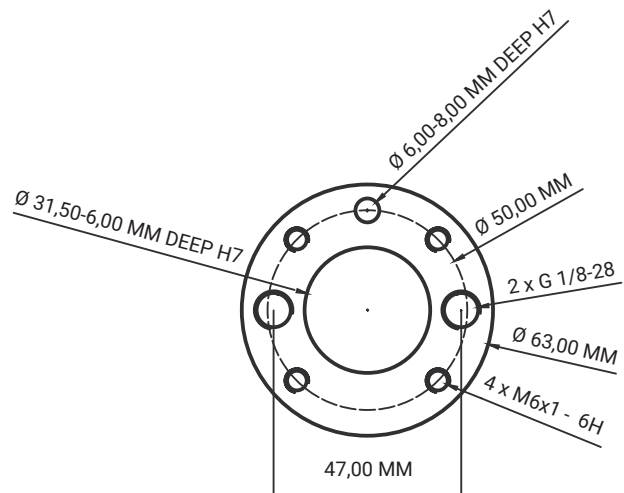
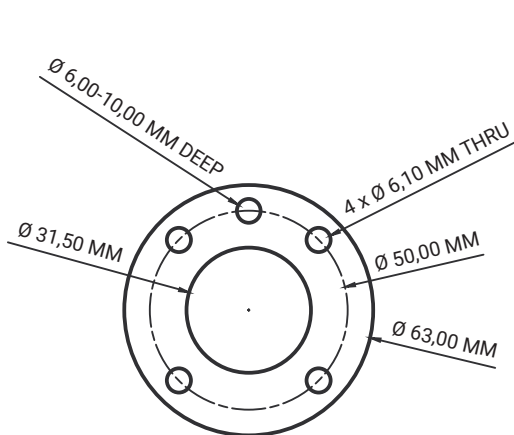
Perform high speed tasks with accurate precision



Lightweight components that maximize use of a robot

TOOL CHANGER SPECIFICATIONS

	ROBOTMASTER	TOOLHOLDER	TOOL POCKET
Handling payload up to:	20 kg / 705.5 oz	20 kg / 705.5 oz	Up to 5 kg / 176.37 oz
Pneumatisk connection:	2 x G 1/8"	2 x G 1/8"	
Electrical connection:	M8 8 pin 24V 1 amp	M8 8 pin 24V 1 amp	
Outer diameter:	63 mm / 2.48 in	63 mm / 2.48 in	
Flange diameter:	31,5 mm h7 / 1.24 in h7	31,5 mm h7 / 1.24 in h7	
Reference diameter:	50 mm / 1.919 in	50 mm / 1.919 in	
Total weight:	130 g / 4.58 oz	250 g / 8.82 oz	710 g / 25.04 oz
Change time:			Approx. 1 second
Material:	PETP	Aluminium 6082-T6 anodized	



HOW TO?

Fasten the robot master to the robot arm and configure the tool holder to fit the tool pocket and the robot is ready to operate with various tools in the same robot cell.

SMARTSHIFT tool changer system is profitable for every industry and application, regardless of size and type.

See all products at www.smartshift-robotics.com

