

AutoGuide MAX-N Pallet Stacker

Autonomous Industrial Forklift

Industrial manufacturers and distribution centers looking to boost performance and reduce costs are searching for LEAN rack and pallet handling solutions that are safe, proven, and reliable to: improve worker and product safety, reallocate precious labor resources to more value-add activities, and improve delivery throughput and consistency.

The MAX-N Pallet Stacker is an autonomous counterbalanced forklift that can pick and place pallets from the floor level, trailer decks, conveyors, or racks up to 5 feet high. Standard payload capacity is 1,770 lbs. (800 kg), with a high capacity version for up to 2,650 lbs. (1,200 kg).

With its smart pallet finding capability, the MAX-N Pallet Stacker can pick pallets that have been displaced from their expected location. The vehicle sensors will identify the pallet, its location and orientation, and then dynamically re-plan a travel path for a successful pick. It can even recognize and pick a desired pallet from a stack of pallets.

The vehicle design is compliant to ANSI safety standards with non-contact collision avoidance for both forward and reverse travel. Under the supervision of the SurePath fleet control software, the optimum vehicle will be allocated to a transport task and its path will be dynamically planned to provide the fastest delivery. The vehicle will travel along a network of allowed paths throughout the facility. Operators can feel safe that the operation is predictable and repeatable. They can safely coexist with AutoGuide AMRs and never be surprised by the vehicle behavior. The modular design helps drive down costs and enables AutoGuide to offer the industry's best lead-times.

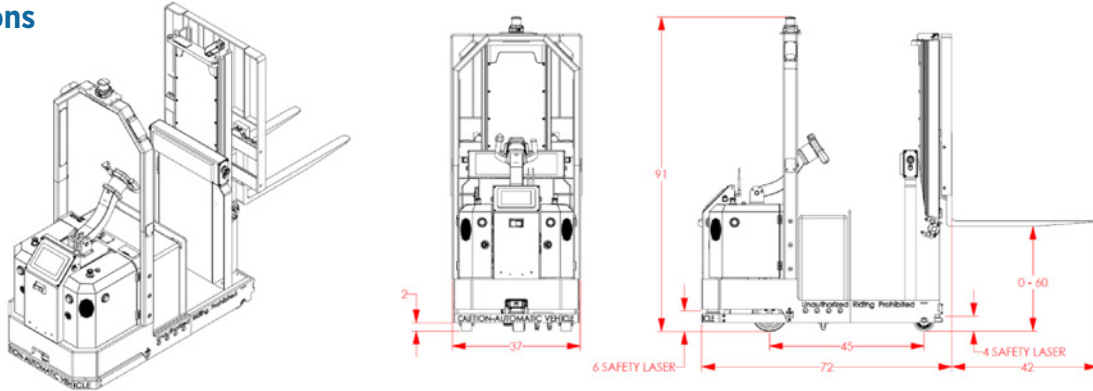


The MAX-N Pallet Stacker is an automated counterbalanced lift truck that can automatically pick and place pallets from the floor level, trailer decks, conveyors, or racks up to 5 feet high.

Featured Highlights

- **Rugged** Robust industrial vehicle with up to 2,650 lb. (1,200 kg) payload capacity
- **Smart** Autonomous pallet location
- **Flexible** Infrastructure-free Natural Features Navigation with high-resolution LiDAR and SLAM technology
- **Safe** Compliant with ANSI B56.5-2012
- **Productive** Travels up to 4 mph in autonomous mode with full load in forward or reverse with automatic opportunity charging for maximum availability
- **Efficient** Wi-Fi communications to SurePath fleet control software and on-board touchscreen operator interface
- **Modular** Based on the MAX-N Base AMR
- **CE Certified** CE marking is a certification mark indicating conformity with health, safety, and environmental protection standards for products sold within the European Economic Area (EEA).

Specifications



Lift Capacity	1,770 lbs. (800 kg) standard, 2,650 lbs. (1,200 kg) high capacity
Travel Speed	Variable up to 4 mph (1.8 m/sec) at full load
LiDAR	Ultra-high density, up to 250,000 measurements/sec, resolution: 1 mm, 0.014 degrees
Path Indicator	Dual LEDs assist operator in returning vehicle to auto mode at any point on the path
Pallet Sensing	Laser scanner for pallet recognition and locating, ultrasonic load presence sensor
Wireless Communications	Configurable 2.4 GHz or 5 GHz Wi-Fi
Hybrid Operation	Operator platform with pressure sensitive mat and steering wheel, mode switch (Off/Auto/Manual)
System Status Indicators	Dual light poles (green, yellow, red), flashing LEDs, and 80 dB horn
Start/Reset Buttons	Green w/status light
Onboard Operator Interface	10 in. touchscreen GUI, main status screen (operating mode, location, destination, navigation status, communication state, battery level), manual destination select screen, alarm screen, maintenance and diagnostics screens
Grade	Up to 3%
Drive	AC servo with maintenance-free sealed gear train
Steering	AC servo, maintenance free
Drive Wheel	10 in. diameter, polyurethane
Chassis Wheels	6" diameter, polyurethane
Brakes	Regenerative braking with fail-safe emergency disc brake
Turning Radius	69 in. outside radius; 8 in. load distance (aisle width = outside radius + load distance + load length + clearance)
Gross Weight w/Battery	4,510 lbs. (2046 kg)
Battery	24 VDC, 600 amp-hr. capacity standard, 750 amp-hr. max
Battery Connector	SB 350A-600V gray
Battery Compartment	31 in. L x 14.75 in. W x 35 in. H
Battery Charging	24 VDC, up to 200 amp
Safety Standards	ANSI/ITSDF B56.5-2012 compliance, full load/full speed
Collision Avoidance	Guarded non-contact laser scanners front and rear (category 3 compliant), 270-degree scan coverage each w/smart zones based on current vehicle speed and direction
E-Stops	Category 3 locking mushroom buttons
Environment	Operating temperature 32-104° F (0-40° C), relative humidity <85% (non-condensing)
Floor Conditions	Free from oils, moisture, or debris; gaps or steps < 0.25 in. (6 mm)

For more information, please contact Sales@AGMobileRobots.com